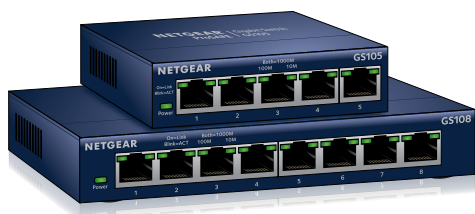


Installation Guide

5-Port and 8-Port Gigabit Ethernet Unmanaged Switch GS105v5 and GS108v4



Package contents

- Gigabit Ethernet switch
- Power adapter (varies by region)
- Wall-mount kit
- Installation guide

April 2021

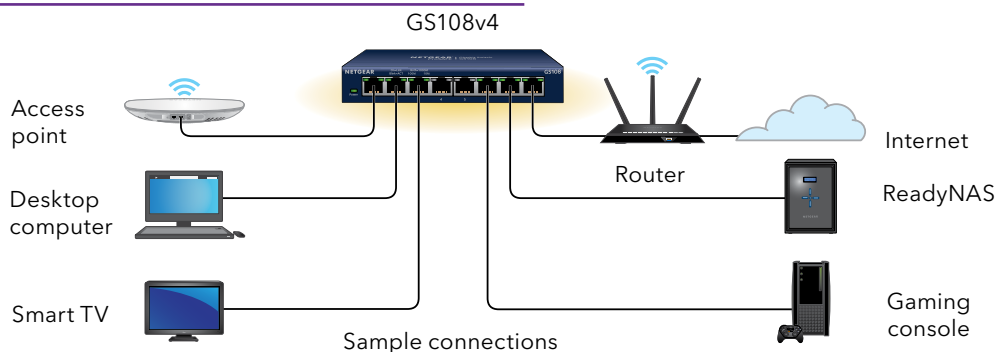


201-25347-05

1. Register your device

1. From a computer or mobile device that is connected to the Internet, go to my.netgear.com.
2. Log in to your NETGEAR account.
If you don't have a free NETGEAR account, you can create one.
The My Products page displays.
3. From the menu on the left, select **Register a Product**.
4. In the **Serial Number** field, type the serial number of your switch.
The serial number is 13 digits long. It is printed on the switch label.
5. From the **Date of Purchase** menu, select the date that you purchased the switch.
6. Click the **Register** button.
Your switch is registered to your NETGEAR account.
A confirmation email is sent to your NETGEAR account email address.

2. Connect the switch



This switch is designed for indoor use and to be connected to other indoor devices only. If you want to connect it to a device located outdoors, the outdoor device must be properly grounded and surge protected, and you must install an Ethernet surge protector inline between the switch and the outdoor device. Failure to do so can damage the switch.

Before connecting this switch to outdoor cables or devices, see <https://kb.netgear.com/000057103> for safety and warning information.

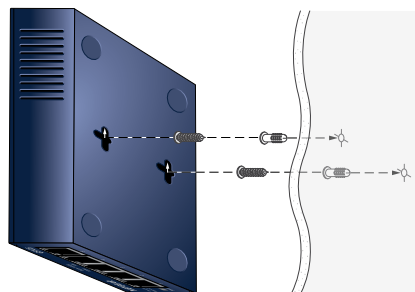
3. Check the LEDs

LED	Description
Power	<ul style="list-style-type: none"> • On. The switch is receiving power. • Off. The switch is not receiving power.
Port (left and right)	<ul style="list-style-type: none"> • Both LEDs are solid green. 1000 Mbps link on this port. • Left LED is solid green. 100 Mbps link on this port. • Right LED is solid green. 10 Mbps link on this port. • Blinking green. The port is sending or receiving traffic. • Off. The switch does not detect a link on this port.

Wall-mount the switch

The bottom panel of the switch includes two mount holes. The center-to-center distance between the holes is:

- GS105v5: 1.8 in (46 mm)
- GS108v4: 3.1 in (80 mm)



Note: You can mount the switch with the Ethernet ports facing down (at the bottom) as shown, or with the Ethernet ports facing up.

1. Mark the wall where you want to drill the holes.
2. Insert the provided anchors into the wall.
3. Install the provided screws with a No. 2 Phillips screwdriver. Leave about ¼ inch (6 mm) of each screw protruding from the wall.
4. Align the holes on the bottom panel of the switch with the screws and mount the switch.

Technical specifications

Specifications	Description
Network interface	RJ-45 connector for 10BASE-T, 100BASE-TX, or 1000BASE-T
Power adapter	12V @ 0.5A DC input
Operating humidity	10%-90% relative humidity, noncondensing

Specifications	GS105v5	GS108v4
Ports	5	8
Power consumption	2.7W max.	4.9W max
Weight	0.56 lb (0.25 kg)	1.04 lb (0.47 kg)
Dimensions (W x D x H)	4.0 x 3.7 x 1.1 in. (101 x 94 x 27 mm)	6.2 x 4.0 x 1.1 in. (158 x 102 x 27 mm)
Operating temperature for switch only	32-122° F (0-50° C)	32-104° F (0-40° C)
Operating temperature for switch using provided power adapter	32-104° F (0-40° C)	32-104° F (0-40° C)

Support and Community

Visit [netgear.com/support](https://www.netgear.com/support) to get your questions answered and access the latest downloads.

You can also check out our NETGEAR Community for helpful advice at [community.netgear.com](https://www.netgear.com/community).

Regulatory and Legal

Si ce produit est vendu au Canada, vous pouvez accéder à ce document en français canadien à <https://www.netgear.com/support/download/>.

(If this product is sold in Canada, you can access this document in Canadian French at <https://www.netgear.com/support/download/>.)

For regulatory compliance information including the EU Declaration of Conformity, visit <https://www.netgear.com/about/regulatory/>. See the regulatory compliance document before connecting the power supply.

For NETGEAR's Privacy Policy, visit <https://www.netgear.com/about/privacy-policy>.

By using this device, you are agreeing to NETGEAR's Terms and Conditions at <https://www.netgear.com/about/terms-and-conditions>. If you do not agree, return the device to your place of purchase within your return period.

NETGEAR INTERNATIONAL LTD
Floor 1, Building 3,
University Technology Centre
Curraheen Road, Cork,
T12EF21, Ireland

© NETGEAR, Inc., NETGEAR and the NETGEAR Logo are trademarks of NETGEAR, Inc. Any non-NETGEAR trademarks are used for reference purposes only.

NETGEAR, Inc.
350 East Plumeria Drive
San Jose, CA 95134, USA